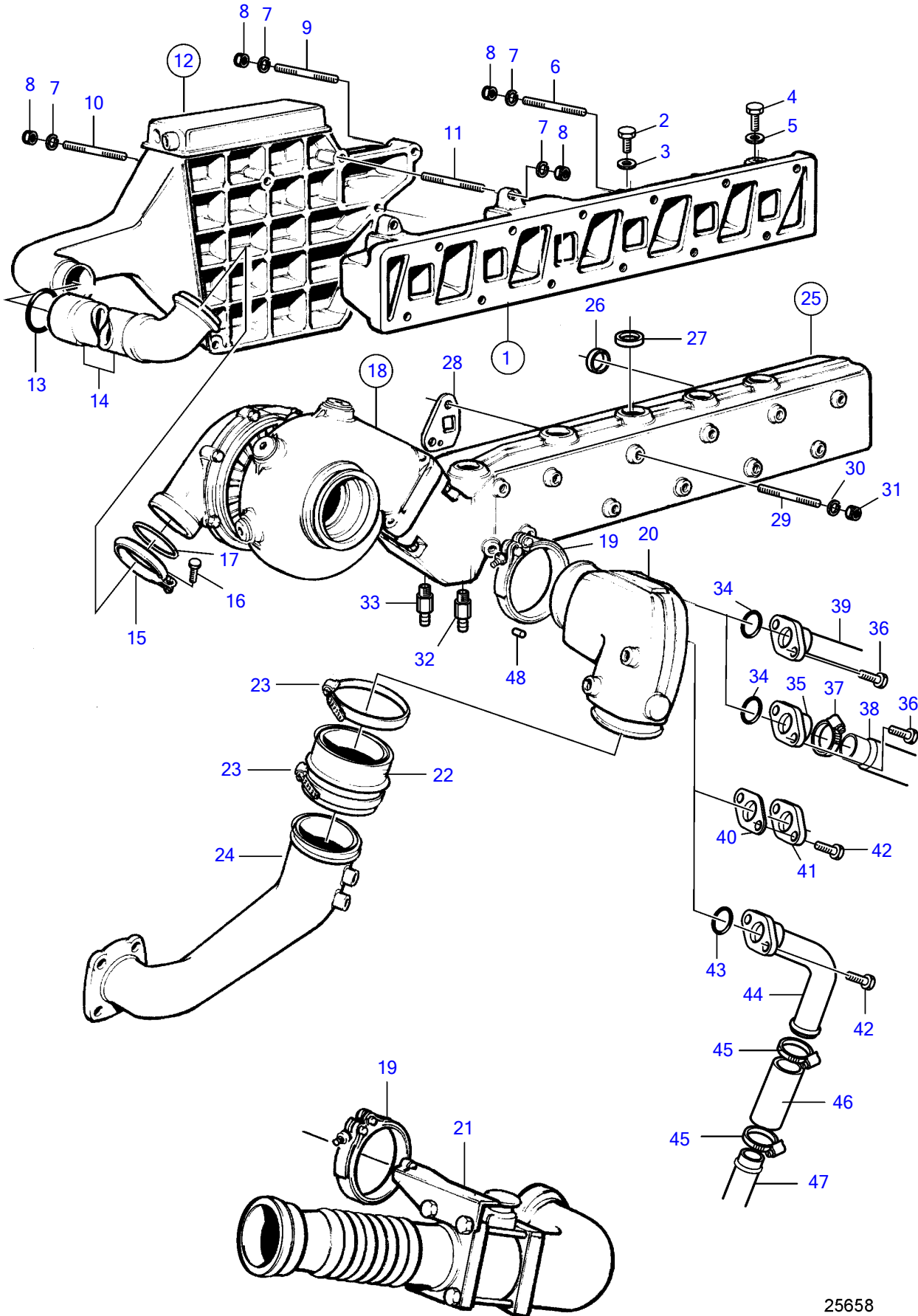


TAMD41A



25658

Upd:2011-09-27

25658

7745630-26-19469

TAMD41A

REF	PART NO.	QTY	DESCRIPTION	SEE SEC.	NOTES
1	838690	1	Inlet pipe		Repl by 859300
	859300	1	Inlet pipe		
2	960634	2	• Plug		For 859300
3	947627	2	• Gasket		For 859300
4	960632	1	Plug		
5	947624	1	Gasket		
6	924068	9	Stud		L=50mm
	17942	1	Stud		L=110mm
7	941907	13	Spring washer		
8	945408	13	Flange nut		
9	17942	1	Stud		L=110mm
10	838854	1	Stud		L=185mm
11	953049	1	Stud		L=50mm
12		1	after cooler	19475	
13	471449	1	O-ring		
14	838693	1	Connection pipe		
15	838864	1	V-band clamp		
16	947542	1	Flange screw		
17	967944	1	O-ring		
18	838697	1	Turbocharger	19462	
19	842993	1	V-band clamp		
20	858481	1	Exhaust riser	19473	For engines with wet exhaust line, Replaced by 877415
			• Bulletin 44-16	44-16-EN	Overhaul kit, Exhaust Bend
20	877415	1	Exhaust riser		For engines with wet exhaust line
21		1	exhaust bend	19474	For engines with dry exhaust line
25	838687	1	Exhaust pipe		
26	946780	12	Cap plug		
27	838766	1	Sealing ring		
28	838673	6	Gasket		Repl by 876144
	876144	3	Gasket kit		
29	953001	8	Stud		L=120mm
	953002	2	Stud		L=125mm
	953003	1	Stud, stud bolt	19498	L=130mm
	953007	1	Stud, stud bolt	19498	L=150mm
30	941908	12	Spring washer		
31	971095	12	Flange nut		
32	949918	1	Shut-off cock		
33	947893	1	Shut-off cock		
34	842913	1	Sealing ring		
35	858659	1	Hose connection		
36	946544	2	Flange screw		
37	943475	1	Hose clamp		
38	944386	1	Rubber hose		Heat exchanger-exhaust bend., L=335mm
40	859002	1	Gasket		(843002)
41	844093	1	Flange		
42	946544	2	Flange screw		
48	951930	1	Spring pin		

7745630-26-19469

25658

Upd:2011-09-27